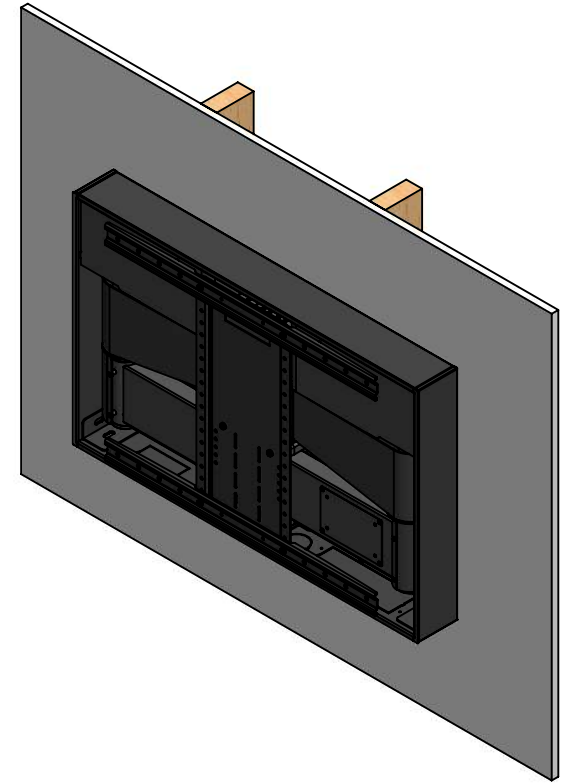
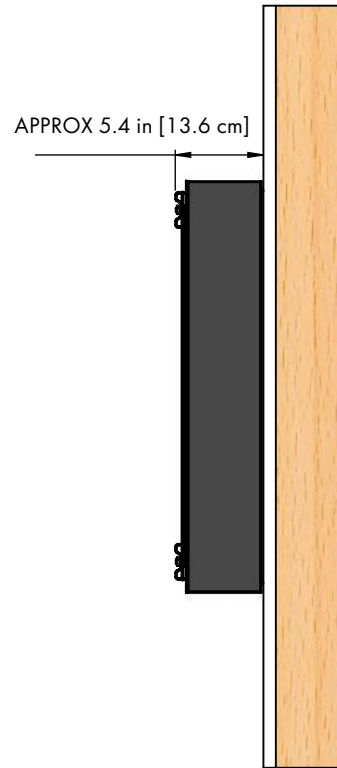
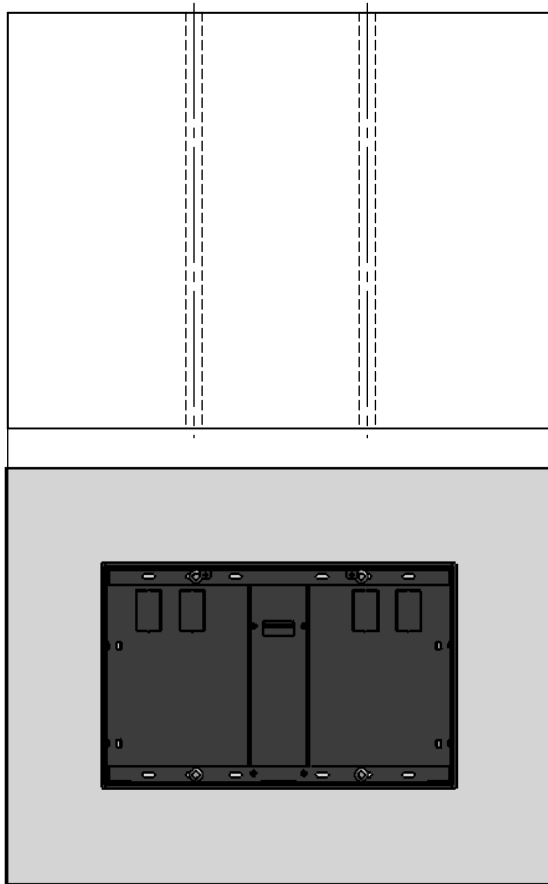


# APEX MOTORIZED TV WALL MOUNT DIAGRAM

PLEASE NOTE: APEX MOVES IN AND OUT, AND SWIVELS TO EITHER SIDE BUT IT DOES NOT MOVE UP AND DOWN.

## ON-WALL INSTALLATION

(VIEW IN-WALL ON PAGE 3)



### NOTES:

1. ALL DIMENSIONS SHOWN IN INCHES WITH CENTIMETERS SHOWN IN [ ]
2. TOTAL WEIGHT CAPACITY IS 100 LBS [45.4 KG]
3. LENGTH OF EXTENSION (TRAVEL, LENGTH, OR STROKE) IS UP TO 24.1" [61.2]
4. MAXIMUM SWIVEL ANGLE IS UP TO 55 DEGREES, DEPENDENT UPON TV WIDTH
5. WALL MOUNT DESIGNED FOR 50-80" TVs
6. MUST BE MOUNTED ON TWO STUDS
7. MOUNTING LOCATIONS FOR ON-WALL INSTALLATIONS UP TO 24" [61] ON CENTER WOOD STUDS
8. CAN BE MOUNTED TO BRICK OR STONE, CONSULT AN EXPERT FOR REQUIRED HARDWARE
9. WALL MOUNT IS POWDERCOATED BLACK STEEL, COLORS IN DIAGRAM ARE FOR CLARITY ONLY

### QUICK REFERENCE DIMENSION GUIDE ON-WALL INSTALLATION

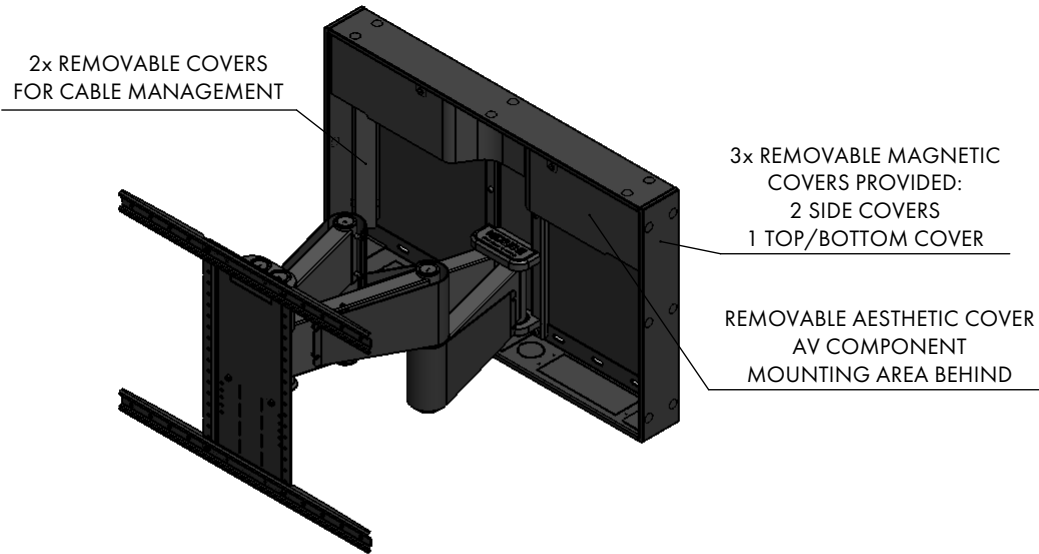
MOUNTING LOCATIONS: UP TO 24" [61] ON CENTER WOOD STUDS  
DEPTH FROM BACK OF TV TO WALL: APPROX 5.4 in [13.6 cm]

# NEXUS<sub>21</sub>

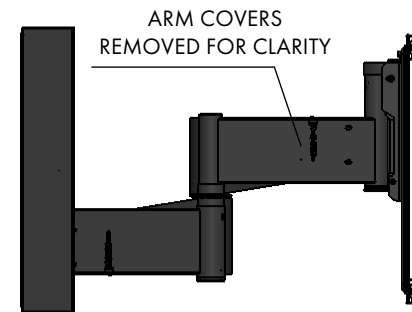
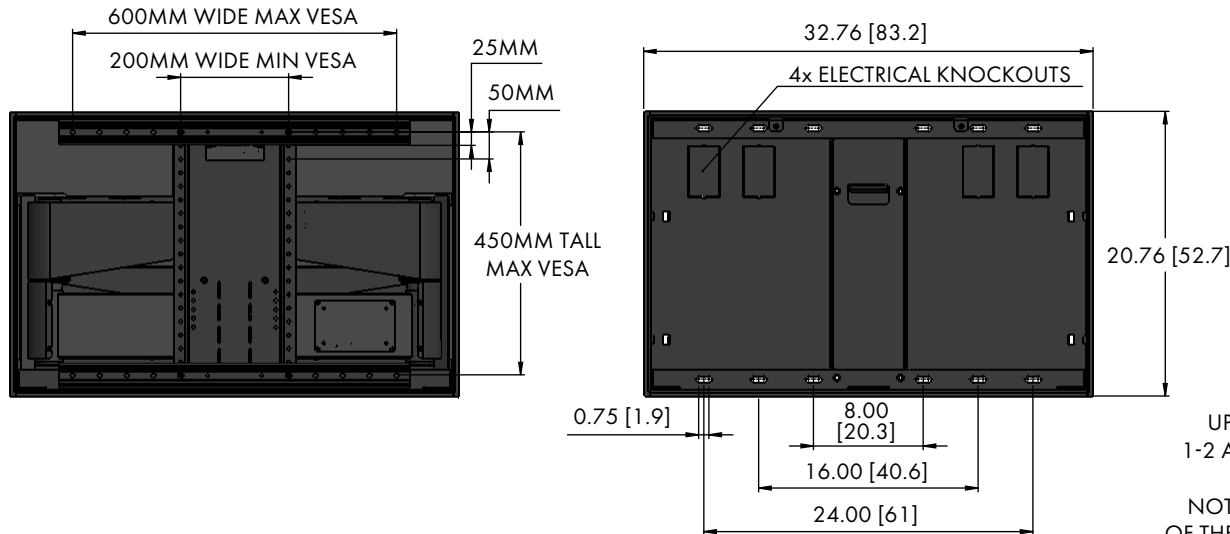
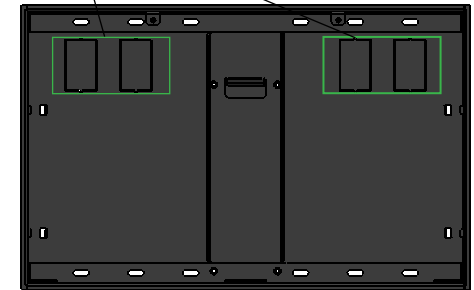
COPYRIGHT 2019 - ALL RIGHTS RESERVED  
UPDATED 11/16/2023

# APEX MOTORIZED TV WALL MOUNT DIAGRAM

## ON-WALL INSTALLATION FEATURES



AV COMPONENT SPACE ( W X H X D )  
10" [25.4] X 5.5" [14] X 3.25" [8.6]



UP TO 4 AV CABLES CAN BE ROUTED THROUGH THIS SIDE  
1-2 AV CABLES CAN BE ROUTED THROUGH THE OPPOSITE SIDE

NOTE: REFER TO CABLE MANAGEMENT LABELS ON THE ARMS OF THE APEX FOR FURTHER CABLE MANAGEMENT INSTRUCTIONS.

- NOTES:
1. ALL DIMENSIONS SHOWN IN INCHES WITH CENTIMETERS SHOWN IN [ ]
  2. VESA ADJUSTMENTS IN INCREMENTS 25MM VERTICALLY
  3. VESA ADJUSTMENTS IN INCREMENTS 50MM HORIZONTALLY
  4. ARM COVERS MUST BE INSTALLED FOR PROPER FUNCTIONALITY

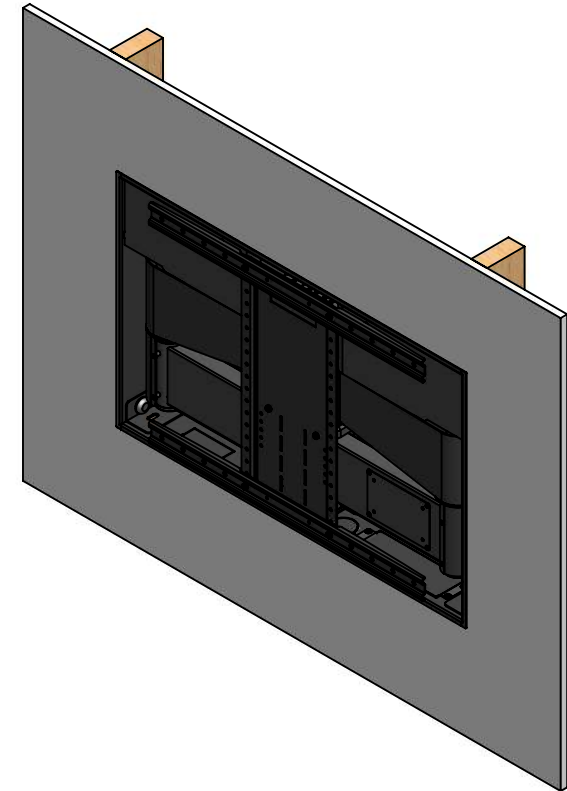
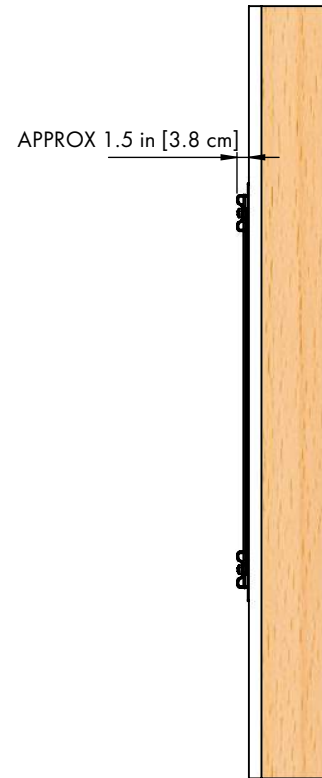
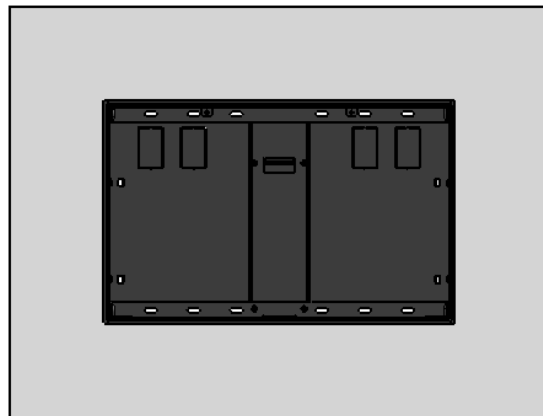
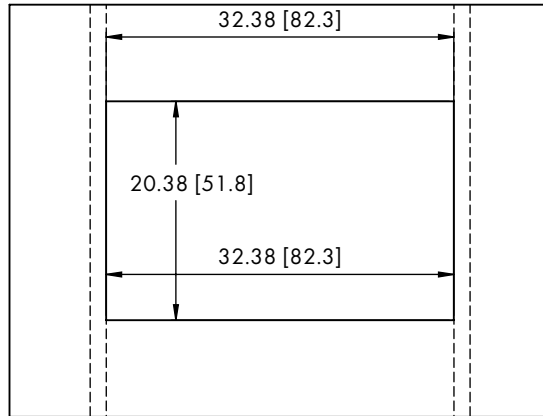
# NEXUS<sub>21</sub>

COPYRIGHT 2019 - ALL RIGHTS RESERVED  
UPDATED 11/16/2023

# APEX MOTORIZED TV WALL MOUNT DIAGRAM

PLEASE NOTE: APEX MOVES IN AND OUT, AND SWIVELS TO EITHER SIDE BUT IT DOES NOT MOVE UP AND DOWN.

## IN-WALL INSTALLATION



### QUICK REFERENCE DIMENSION GUIDE IN-WALL INSTALLATION

CUTOUT DIMENSION: 32-3/8" [82.3] WIDE x 20-3/8" [51.8] TALL  
FRAMING DIMENSION: 32-3/8" [82.3] MINIMUM  
DEPTH FROM BACK OF TV TO WALL: APPROX 1.5 in [3.8 cm]

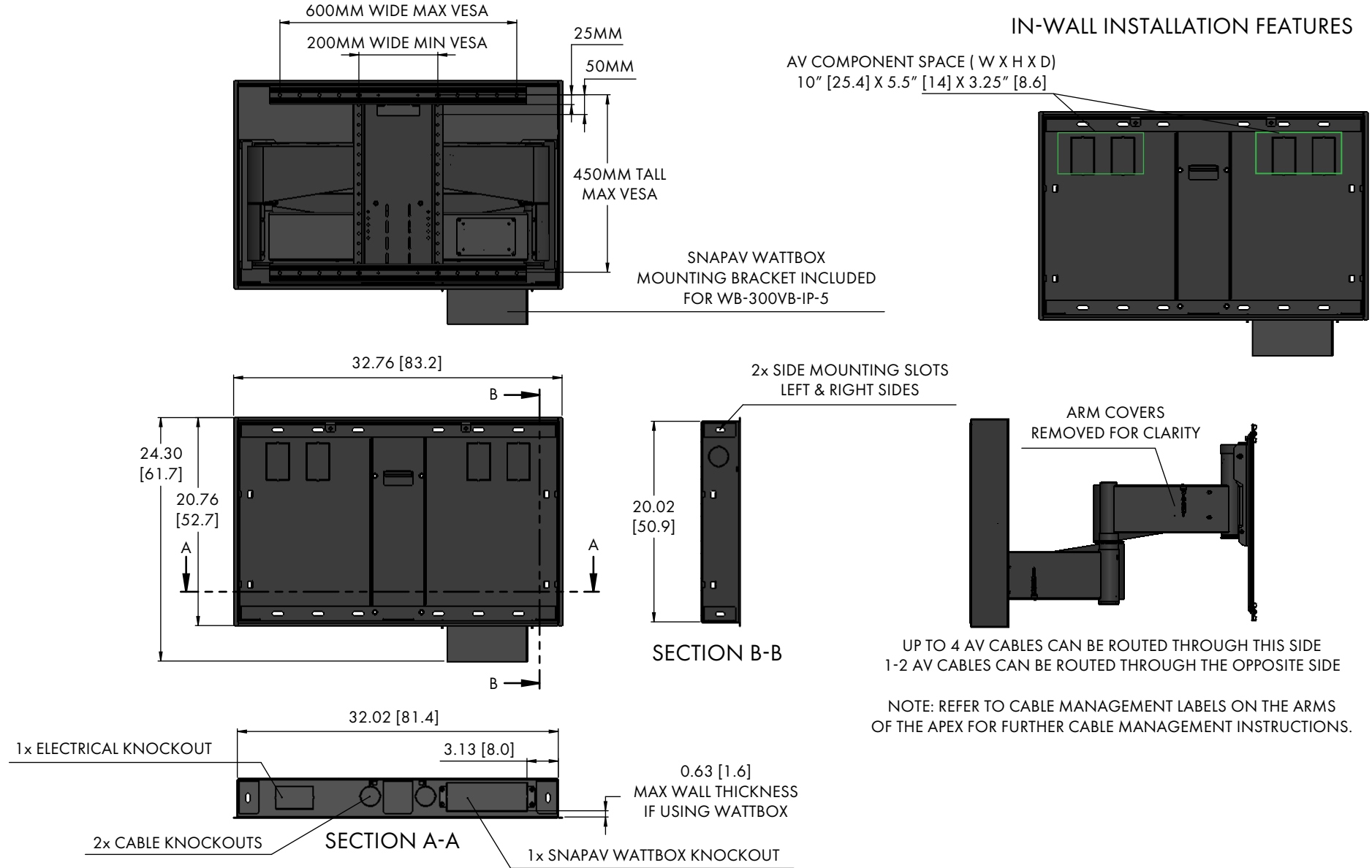
#### NOTES:

1. ALL DIMENSIONS SHOWN IN INCHES WITH CENTIMETERS SHOWN IN [ ]
2. TOTAL WEIGHT CAPACITY IS 100 LBS [45.4 KG]
3. LENGTH OF EXTENSION (TRAVEL, LENGTH, OR STROKE) IS UP TO 24.1" [61.2]
4. MAXIMUM SWIVEL ANGLE IS UP TO 55 DEGREES, DEPENDENT UPON TV WIDTH
5. WALL MOUNT DESIGNED FOR 50-80" TVs
6. CUTOUT AND FRAMING DIMENSIONS MUST BE FOLLOWED FOR IN-WALL INSTALLATIONS
7. WALL MOUNT IS POWDERCOATED BLACK STEEL, COLORS IN DIAGRAM ARE FOR CLARITY ONLY

# NEXUS<sub>21</sub>

COPYRIGHT 2019 - ALL RIGHTS RESERVED  
UPDATED 11/16/2023

# APEX MOTORIZED TV WALL MOUNT DIAGRAM



- NOTES:
1. ALL DIMENSIONS SHOWN IN INCHES WITH CENTIMETERS SHOWN IN [ ]
  2. MAX WALL THICKNESS IF USING SNAPAV WATTBOX 5/8" [1.6]
  3. VESA ADJUSTMENTS IN INCREMENTS 25MM VERTICALLY
  4. VESA ADJUSTMENTS IN INCREMENTS 50MM HORIZONTALLY
  5. ARM COVERS MUST BE INSTALLED FOR PROPER FUNCTIONALITY