

MODEL L-77i DIAGRAM

PRIMARY ENCLOSURE DIMENSIONS

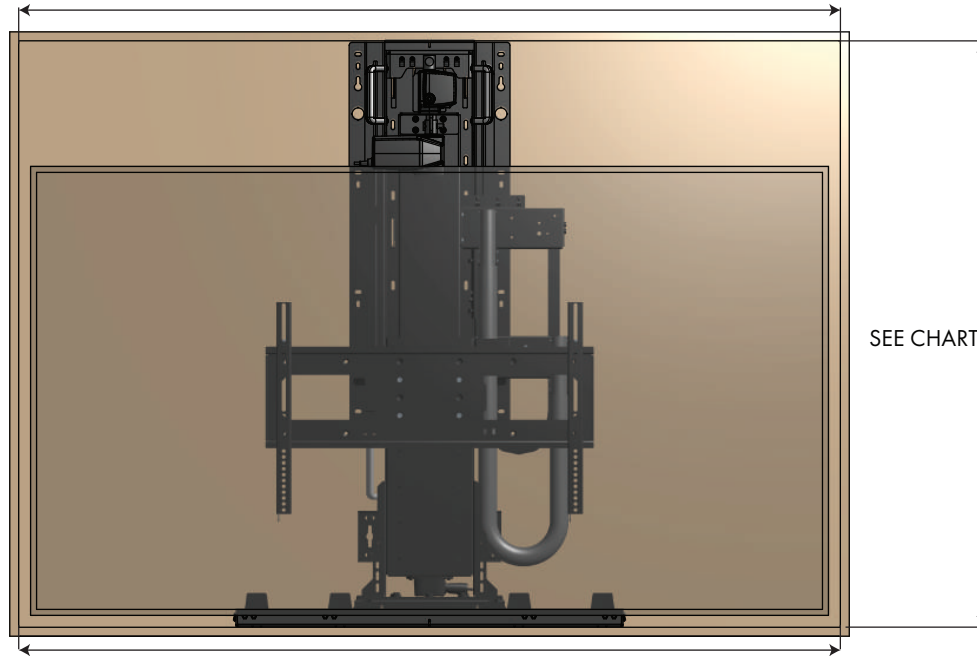
SPECIFICATIONS

MAX WEIGHT CAPACITY : 150 lbs [68 kg]
 COMBINED WEIGHT OF THE TV, ALL ACCESSORIES, & CEILING COVER
 MAX TRAVEL [EXTENSION] : 52 in [132.1 cm]
 LIFT SYSTEM HEIGHT : 49 in [124.5 cm] TO 55.5 in [141 cm]
 MAX TV HEIGHT : 51 in [129.5 cm] MINUS CEILING COVER THICKNESS

QUICK REFERENCE DIMENSION GUIDE (USE WHICHEVER IS GREATER)

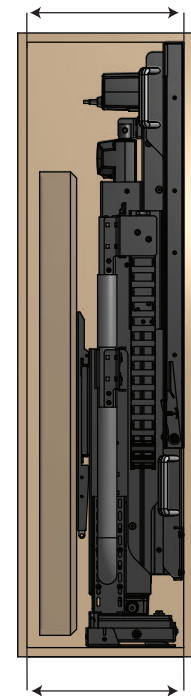
TV DIMENSIONS : W _____, H _____, D _____
 MIN. INTERIOR ENCLOSURE WIDTH : $W + 2$ in [5.1 cm] = _____ OR 35 in [88.9 cm]
 MIN. CEILING COVER CUTOUT WIDTH : $W + 2$ in [5.1 cm] = _____ OR 35 in [88.9 cm]
 MIN. INTERIOR ENCLOSURE HEIGHT : SEE CHART ON PAGE 2
 MIN. INTERIOR ENCLOSURE DEPTH : $D + 9.75$ in [24.8 cm] = _____
 MIN. CEILING COVER CUTOUT DEPTH : $D + 9.75$ in [24.8 cm] = _____

MIN. INTERIOR ENCLOSURE WIDTH = TV WIDTH + 2 in [5.1 cm] OR 35 in [88.9 cm]
 WHICHEVER IS GREATER



MIN. CEILING COVER CUTOUT WIDTH = TV WIDTH + 2 in [5.1 cm] OR 35 in [88.9 cm]
 WHICHEVER IS GREATER

MIN. INTERIOR ENCLOSURE DEPTH =
 TV DEPTH + 9.75 in [24.8 cm]



MIN. CEILING COVER CUTOUT DEPTH =
 TV DEPTH + 9.75 in [24.8 cm]

NOTES:

1. THE ENCLOSURE BOX SHOWN IN THE DIAGRAM IS FOR REFERENCE ONLY AND IS NOT PROVIDED WITH THE LIFT SYSTEM
2. WHEN DETERMINING TV HEIGHT, ALWAYS USE MANUFACTURER SUPPLIED "TV WITHOUT STAND" HEIGHT
3. LIFT MECHANISM IS POWDER COATED BLACK STEEL, COLORS IN DIAGRAM ARE FOR CLARITY ONLY
4. FOR REFERENCE DIMENSIONS, SEE PAGE 2 OF THIS DIAGRAM
5. DESIGNED FOR CEILING HEIGHT OF 8 TO 10 FEET [2.4 m to 3 m]
6. LIFT ENCLOSURE'S REAR PANEL SHOULD BE CONSTRUCTED TO WITHSTAND A LOAD OF 600 LBS [272.2 kg] OR MORE

NEXUS 21

COPYRIGHT 2023 - ALL RIGHTS RESERVED
 UPDATED 4/19/24

MODEL L-77i DIAGRAM

ENCLOSURE REFERENCE DIMENSIONS

BOTTOM VIEW

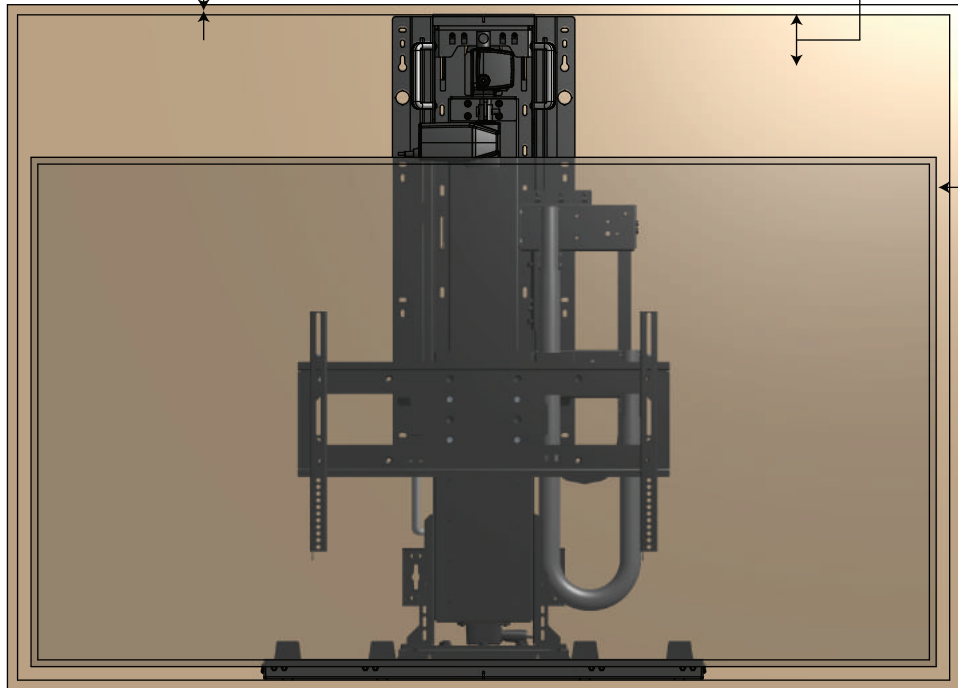


INTERIOR ENCLOSURE HEIGHT TABLE		
TV HEIGHT	MIN INTERIOR ENCLOSURE HEIGHT	MAX INTERIOR ENCLOSURE HEIGHT
47 in [119.4 cm] or less	49 in [124.5 cm]	55.5 in [141 cm]
More than 47 in [119.4 cm]	H + 2 in [5.1 cm]	

ENCLOSURE PANEL THICKNESS
0.75 in [1.9 cm]
ON ALL SIDES

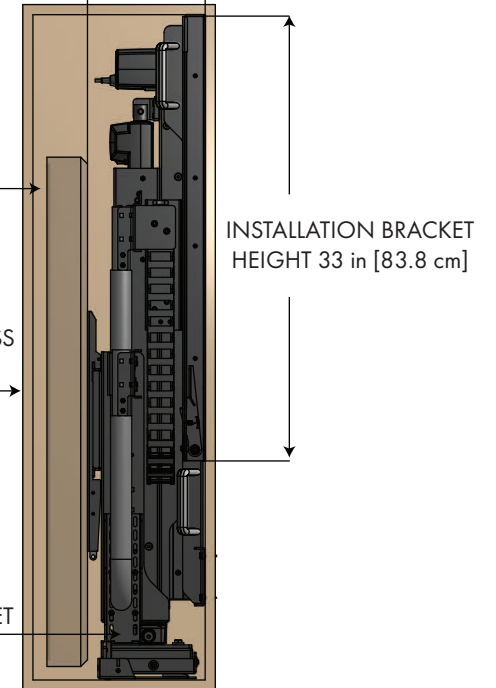
MINIMUM CLEARANCE BETWEEN
TV AND ENCLOSURE
1 in [2.5 cm]

BACK OF TV TO ENCLOSURE
8.7 in [22.1 cm]



MINIMUM CLEARANCE BETWEEN
TV AND ENCLOSURE
1 in [2.5 cm]

MAKE THIS PANEL
REMOVABLE FOR ACCESS
IF NECESSARY



CEILING COVER SUPPORT BRACKET

INSTALLATION BRACKET
HEIGHT 33 in [83.8 cm]

NOTES:

1. CEILING COVER SUPPORT BRACKETS ALLOW CEILING COVER TO SIT FLUSH WITH SURROUNDING CEILING MATERIAL
2. MAKE FRONT PANEL OF ENCLOSURE REMOVABLE FOR ACCESS IF NECESSARY

NEXUS₂₁

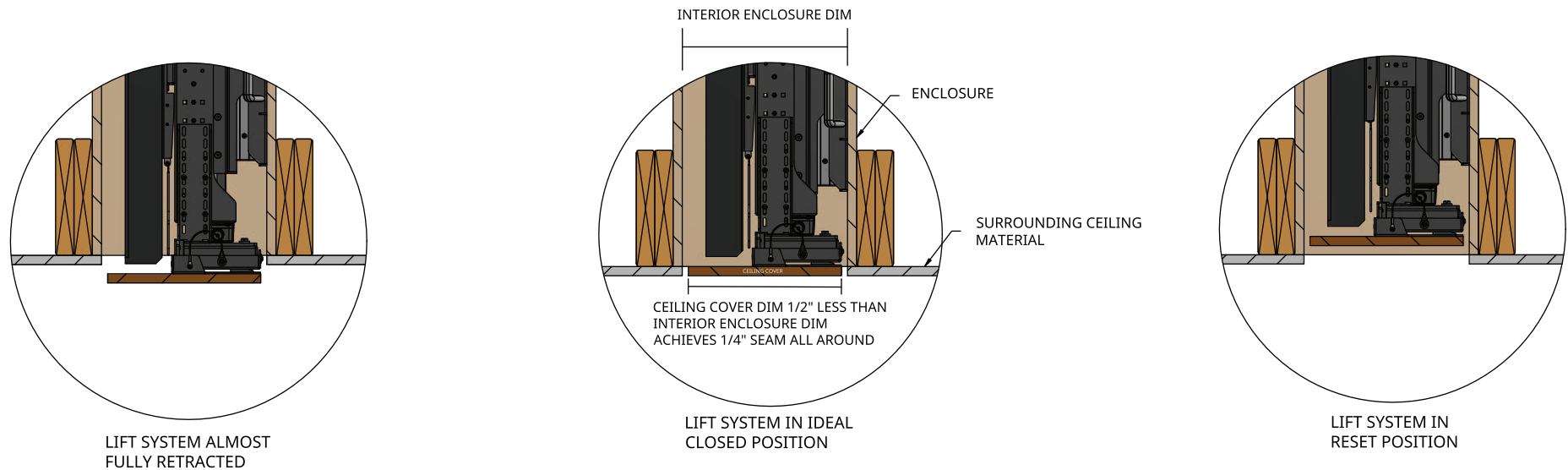
COPYRIGHT 2023 - ALL RIGHTS RESERVED
UPDATED 4/19/24

MODEL L-77i DIAGRAM

CEILING COVER INFORMATION

IMPORTANT: THE L-77i FEATURES A NEW CEILING COVER DESIGN - YOU MUST NOT CREATE A CEILING COVER CATCH AS PART OF YOUR INSTALLATION. THE CEILING COVER MUST BE ABLE TO RETRACT ABOVE IT'S NORMAL CLOSED POSITION AS A PART OF THE RESET PROCEDURE.

CREATING A CEILING COVER CATCH WILL CAUSE DAMAGE TO YOUR LIFT SYSTEM AND VOID THE 10-YEAR WARRANTY.



NOTES:

1. UNLIKE OTHER NEXUS 21 LIFT MODELS, YOU WILL NOT INSTALL A CEILING COVER CATCH FOR THIS LIFT.

NEXUS₂₁

COPYRIGHT 2023 - ALL RIGHTS RESERVED
UPDATED 4/19/24

SURFACE MOUNTING INFORMATION

SPECIFICATIONS

MINIMUM STRINGER HEIGHT : 33 in [83.8 cm]
MINIMUM STRINGER WIDTH: 17.5 in [44.5 cm]
ASSUMES MIN 16 in ON CENTER STUD SPACING. ADJUST AS NECESSARY FOR LARGER STUD SPACING
MINIMUM STRINGER THICKNESS: 3/4 in [1.9 cm]

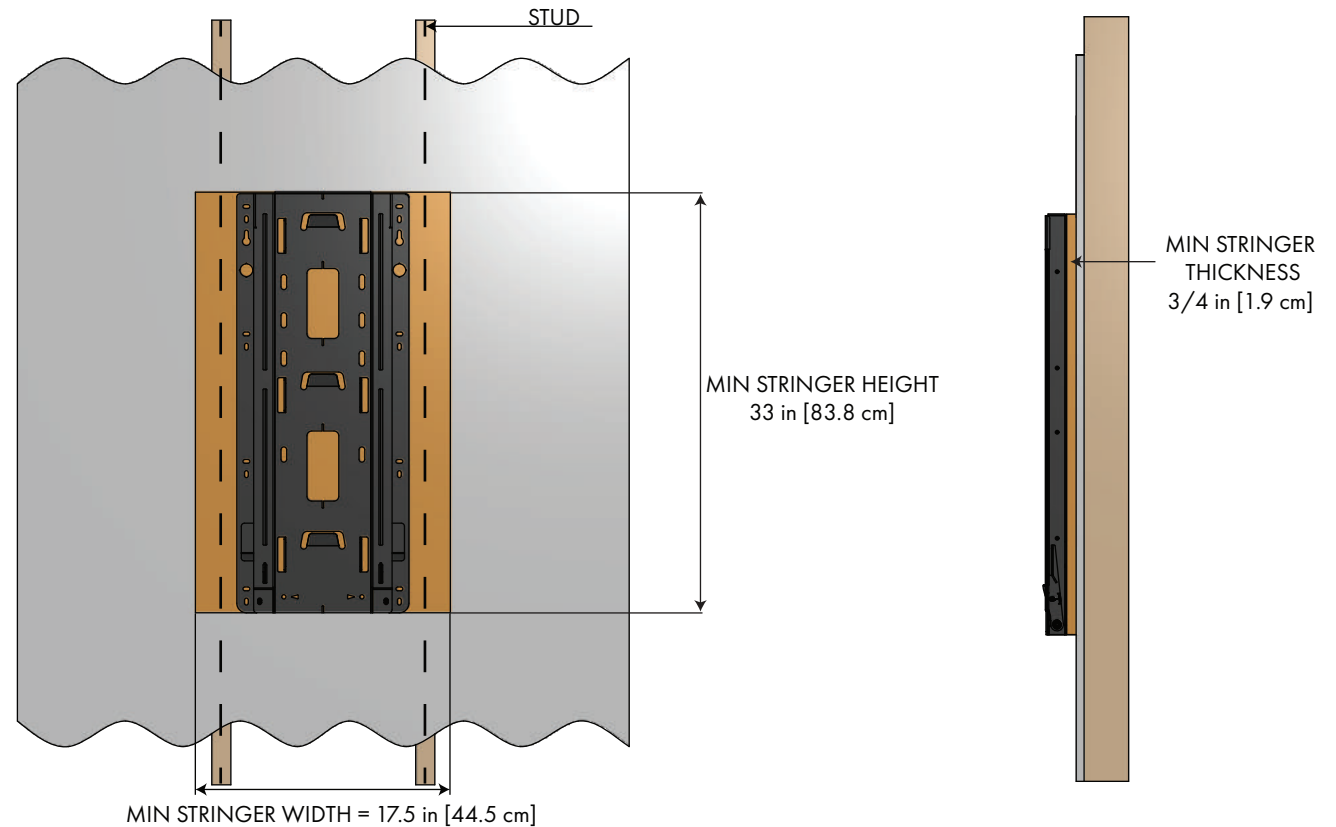
CAUTION:

**DO NOT INSTALL
INTO DRYWALL ALONE**

**A STRINGER BOARD
MUST BE USED AND MUST
BE SECURED TO
A MINIMUM OF
2 STUDS.**

**HARDWARE TO SECURE
STRINGER BOARD TO
STUDS IS NOT PROVIDED
BY NEXUS 21.**

**DRYWALL ALONE WILL
NOT SUPPORT THE
WEIGHT OF
THE INSTALLATION.**



MIN STRINGER WIDTH = 17.5 in [44.5 cm]
ASSUMES MIN 16 in ON CENTER STUD SPACING. ADJUST AS NECESSARY FOR LARGER STUD SPACING

NOTES:

1. THE STRINGER BOARD SHOWN IN THE DIAGRAM IS FOR REFERENCE ONLY AND IS NOT PROVIDED WITH THE LIFT SYSTEM.
2. THE STRINGER BOARD AND WALL SHOULD BE CONSTRUCTED TO WITHSTAND A LOAD OF 600 LBS [272.2 kg] OR MORE.
3. STRINGER BOARD IS USED TO TRANSFER THE LOAD TO THE WOOD FRAME STUDS INSTEAD OF DRYWALL.
4. INSTALLATION BRACKET TO BE SECURED TO STRINGER BOARDS WITH (6) HEX HEAD BOLTS & (2) ANCHORS PROVIDED BY NEXUS 21

NEXUS 21

COPYRIGHT 2023 - ALL RIGHTS RESERVED
UPDATED 4/19/24

SURFACE MOUNTING INFORMATION

SPECIFICATIONS

MINIMUM STRINGER HEIGHT : SEE DETAILS BELOW

MINIMUM STRINGER WIDTH: 17.5 in [44.5 cm]

ASSUMES MIN 16 in ON CENTER STUD SPACING. ADJUST AS NECESSARY FOR LARGER STUD SPACING

MINIMUM STRINGER THICKNESS: 3/4 in [1.9 cm]

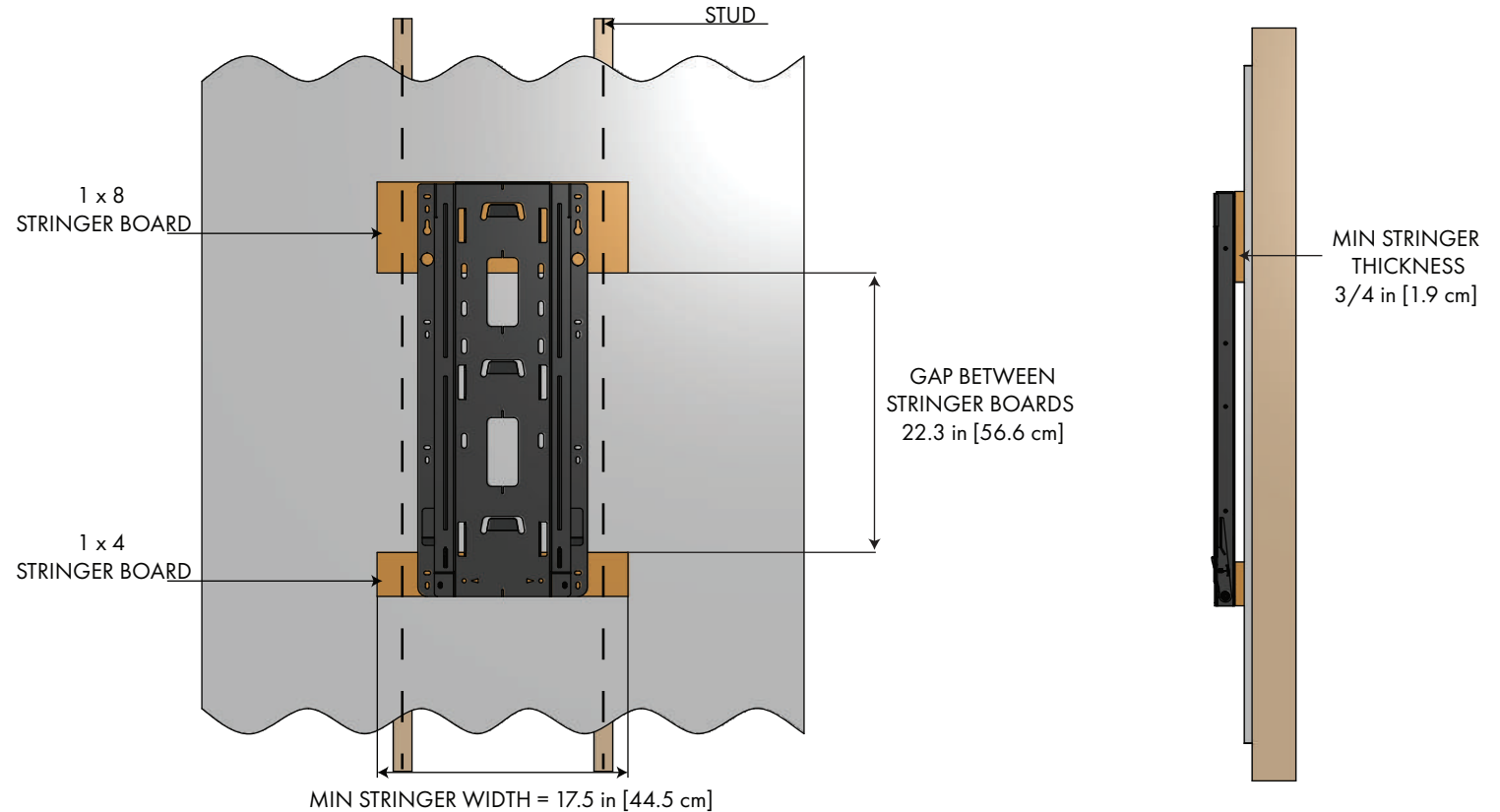
CAUTION:

**DO NOT INSTALL
INTO DRYWALL ALONE**

**TWO STRINGER BOARDS
MUST BE USED AND MUST
BE SECURED TO
A MINIMUM OF
2 STUDS EACH.**

**HARDWARE TO SECURE
STRINGER BOARDS TO
STUDS IS NOT PROVIDED
BY NEXUS 21.**

**DRYWALL ALONE WILL
NOT SUPPORT THE
WEIGHT OF
THE INSTALLATION.**



ASSUMES MIN 16 in ON CENTER STUD SPACING. ADJUST AS NECESSARY FOR LARGER STUD SPACING

NOTES:

1. THE STRINGER BOARDS SHOWN IN THE DIAGRAM ARE FOR REFERENCE ONLY AND IS NOT PROVIDED WITH THE LIFT SYSTEM.
2. THE STRINGER BOARDS AND WALL SHOULD BE CONSTRUCTED TO WITHSTAND A LOAD OF 600 LBS [272.2 kg] OR MORE.
3. STRINGER BOARDS ARE USED TO TRANSFER THE LOAD TO THE WOOD FRAME STUDS INSTEAD OF DRYWALL.
4. INSTALLATION BRACKET TO BE SECURED TO STRINGER BOARDS WITH (6) HEX HEAD BOLTS & (2) ANCHORS PROVIDED BY NEXUS 21

NEXUS 21

COPYRIGHT 2023 - ALL RIGHTS RESERVED
UPDATED 4/19/24